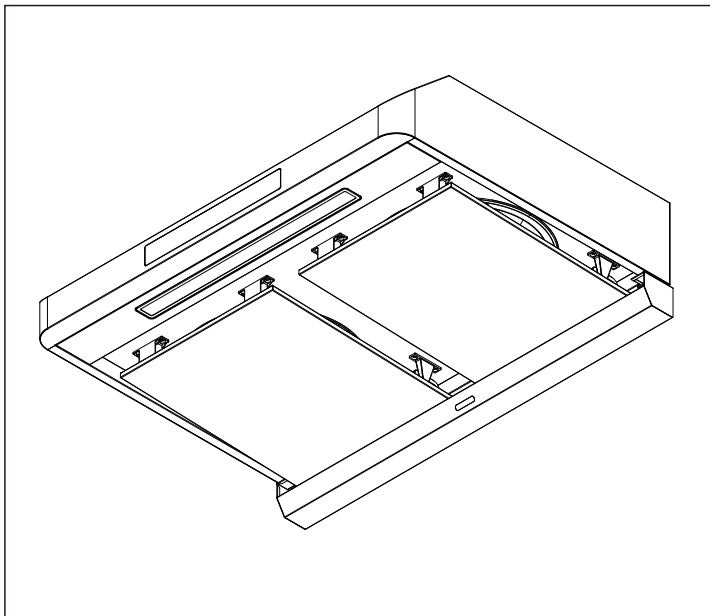


# INSTALLATION AND OPERATING INSTRUCTIONS

## Range Hood

Model No. 70HQSAH



CONTENTS	
SAFETY INSTRUCTIONS	2
INSTALLATION INSTRUCTIONS	2~3
SUPPLIED ACCESSORIES	3~4
PART NAMES AND DIMENSIONS	4
HOW TO INSTALL	5~8
TEST RUN	9
HOW TO USE	9~11
USE AND MAINTENANCE INSTRUCTIONS	11~12
HOW TO MAINTENANCE	12~13
TROUBLESHOOTING	13~14
SPECIFICATIONS	14

Warranty card attached

Thank you for purchasing this KDK product.

Please read these instructions carefully before attempting to install, operate or service the KDK product. Please carefully read "INSTALLATION INSTRUCTIONS" (P.2~3) of this instructions before installation. Failure to comply with instructions could result in personal injury or property damage.

Please explain to users how to operate and maintain the product after installation, and this booklet should be presented to users. Please carefully read "USE AND MAINTENANCE INSTRUCTIONS" (P.11~12) of this instructions before operation.

Please retain this booklet for future reference.

Make sure that the correct information is written on the warranty card, including the date of purchase and the name of the dealer. Keep the warranty card in a safe place along with the instructions for future reference.

- Disconnect power supply before maintenance.
- If the supply cord is damaged, it must be replaced by the manufacturer, its service agent or similarly qualified persons in order to avoid a hazard.
- This product is not intended for use by persons (including children) with reduced physical, sensory or mental capabilities, or lack of experience and knowledge, unless they have been given supervision or instruction concerning use of the product by a person responsible for their safety. Children should be supervised to ensure that they do not play with the product.
- The appliance is intended for use at altitudes not exceeding 2000 m.

The following explanations must always be observed in order to prevent harm to users or other people and prevent damage to property.

- The following displays are classified and explained to what extent harm or damage occurs when the display details are ignored and the unit in question is wrongly used.



**WARNING**

This indication means: Must be treated seriously that this may result in death or serious injury.



**CAUTION**

This indication means: Must be treated seriously that this may result in injury or physical damage.

- Types of instructions that should be observed have been classified and described by the following pictorial symbols.



This symbol indicates the item "PROHIBITED" to do.



This symbol indicates the "COMPULSORY" item that must be followed without failure.

## INSTALLATION INSTRUCTIONS



**WARNING**

- Do not disassemble this product for reconstruction.



Doing this may lead to fire and electric shock.

- The product must be installed by professionals or trained personnel with equivalent expertise and skills in accordance with the local wiring regulations.



Otherwise, electric leakage, electric shock or fire may result from incorrect wiring, twisted wires, or cables being pinched.

- Do not operate the product other than the rated voltage.



Doing this may lead to fire and electric shock.

- The air must not be discharged into a flue that is used for exhausting fumes from appliances burning gas or other fuels (not applicable to appliances that only discharge the air back into the room);



Otherwise, fire may occur.

- Regulations concerning the discharge of air have to be fulfilled.



Otherwise, it may lead to poor exhaust ventilation.

# INSTALLATION INSTRUCTIONS



## CAUTION

- Check whether the range hood is securely installed in accordance with the specified installation method, whether it remains level from left to right.



Otherwise, it may fall and cause injury.

- When installing the appliance on a wall, ensure that the metal parts of the main body and the mounting screws do not come into contact with any metal components within the wall, such as metal laths, cable conduits or metal plates.



Otherwise, electric shock may occur.

- Do not install the product in a damp place.



Otherwise, electric shock may occur.

- Do not install, disassemble, or reinstall the product by yourself.



Improper installation will result in appliance fault or other incidents.

- The building structure and hanging rods used for installing the product must be secure and capable of supporting a load of at least five times the weight of the product. If the installation strength cannot be ensured, appropriate reinforcement measures must be taken.



Otherwise, the product may fall down and it may cause injury.

- Do fix this product tightly.

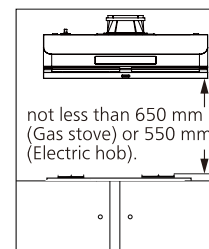


Otherwise, it may fall off to cause personal injury.




- Ensure that the distance between the supporting surface of the cooking appliance and the lowest part of the range hood is not less than 650 mm (Gas stove) or 550 mm (Electric hob).







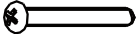
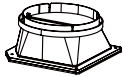



Otherwise, the main body may overheat, which could result in burns or cause malfunctions.



## SUPPLIED ACCESSORIES

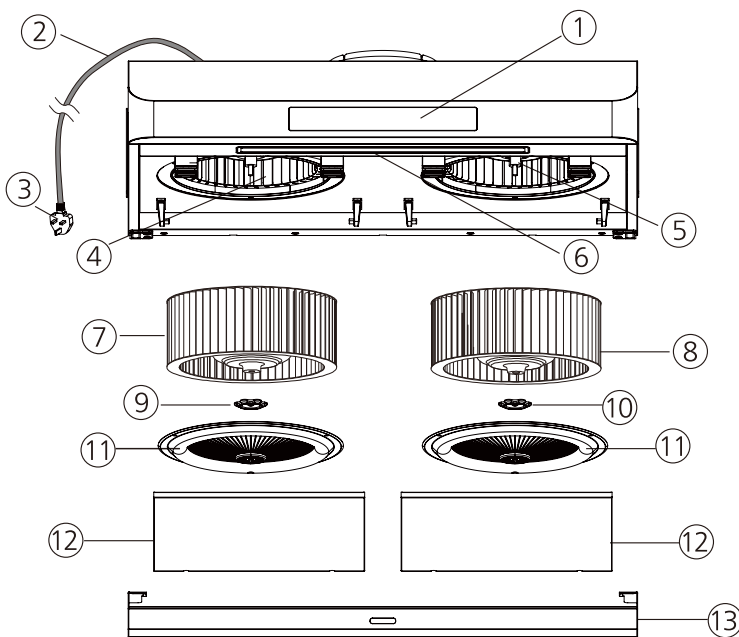
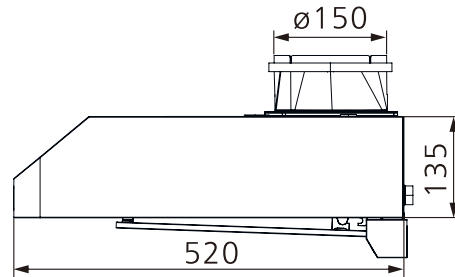
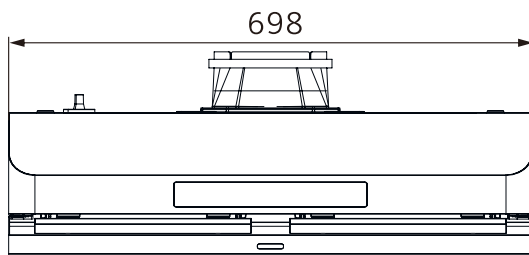
①		Expansion bolt	2
②		ø10×50 plastic expansion plug	2
③		M5×50 round head self-tapping screw	2

# SUPPLIED ACCESSORIES

④		Installation drawing	1
⑤		Mounting bracket	2
⑥		M5 washer	4
⑦		M4×12 triangular-thread screw with washer	6
⑧		M5×35 large flat head phillips machine screw	4
⑨		ø150 air outlet	1
⑩		M4×20 self-tapping screw	4
⑪		Adapter (ø150 to ø120)	1
⑫		Warranty card	1

# PART NAMES AND DIMENSIONS

Unit: mm



No.	Part name
①	Control panel
②	Power cord
③	Power plug
④	DC motor L*
⑤	DC motor R*
⑥	LED lamp (Light emitting diode lamp)
⑦	Fan L
⑧	Fan R
⑨	Spinner L
⑩	Spinner R
⑪	Fan guard
⑫	Oil deflector
⑬	Bottom oil cup

# HOW TO INSTALL

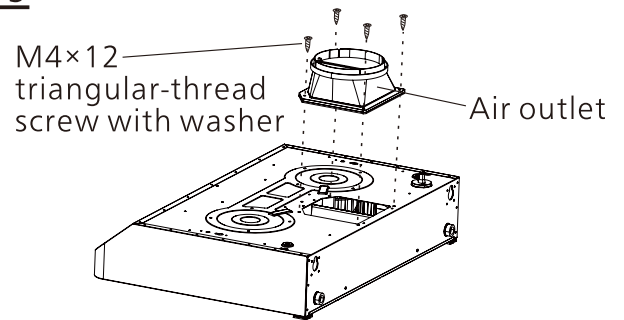
## 1. Confirmation before installation

### Notice

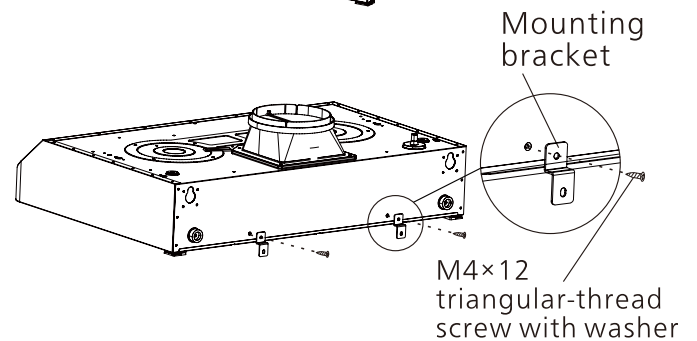
- (1) The product may have sharp edges. Wear protective gloves during installation.
- (2) Ensure that the power socket is easily accessible to the plug after installation to facilitate future maintenance.
- (3) Do not install the product in a place exposed to direct sunlight.

## 2. Product installation Method 1 wall mounting

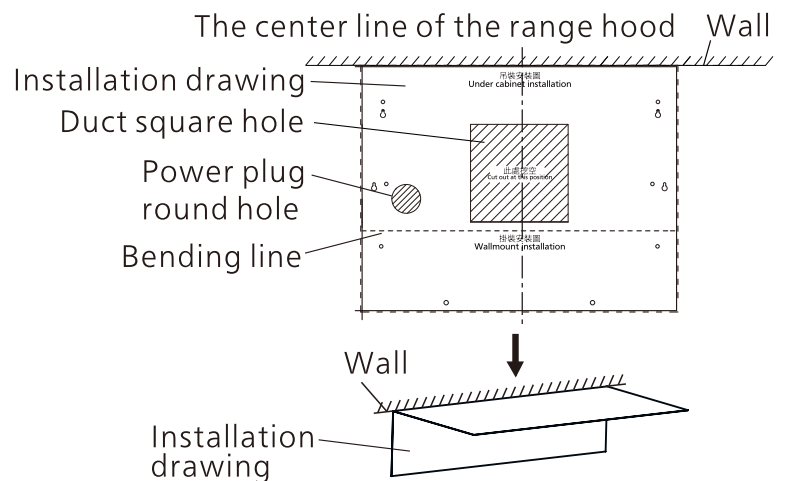
- ① Attach the  $\varnothing 150$  air outlet to the main body using four M4 $\times$ 12 triangular-thread screws with washer.



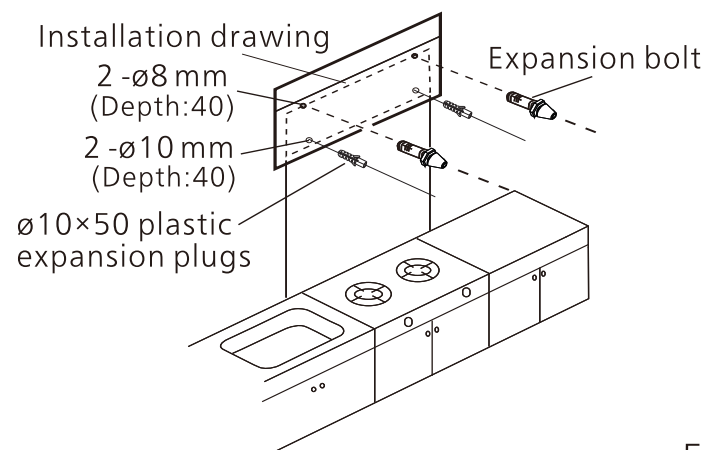
- ② Drive the mounting bracket into the back of the product using two M4 $\times$ 12 triangular-thread screws with washers, as shown in the figure.



- ③ Bend the installation drawing, place it on the bottom of the cabinet, with the edge flush against the wall, and secure it with adhesive tape.



- ④ Cut holes in the cabinet as shown in the installation drawing. Drill two  $\varnothing 8$ mm holes and two  $\varnothing 10$ mm holes in the wall. Install two M6 expansion bolts into the  $\varnothing 8$  mm holes and tighten the nuts, and insert two  $\varnothing 10 \times 50$  plastic expansion plugs into the  $\varnothing 10$ mm holes respectively.



# HOW TO INSTALL

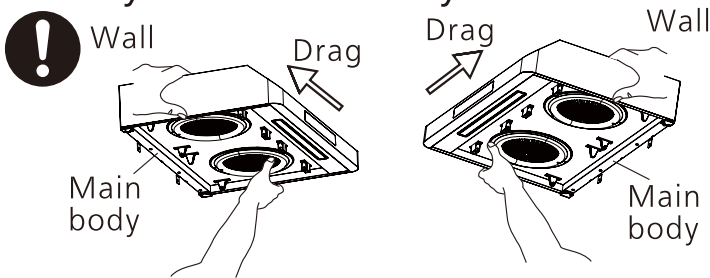
- ⑤ Pass the power plug of the range hood through the round hole opened in step ④.
- ⑥ Hang the range hood onto the special nut slots of the expansion bolt.

## ⚠ WARNING

■ Check that the range hood is engaged with the special nut slots of the expansion bolt.

⚠ Otherwise, the product may fall.

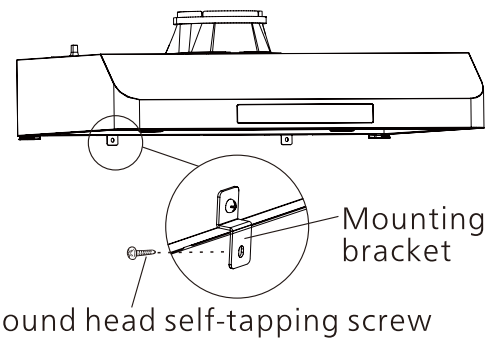
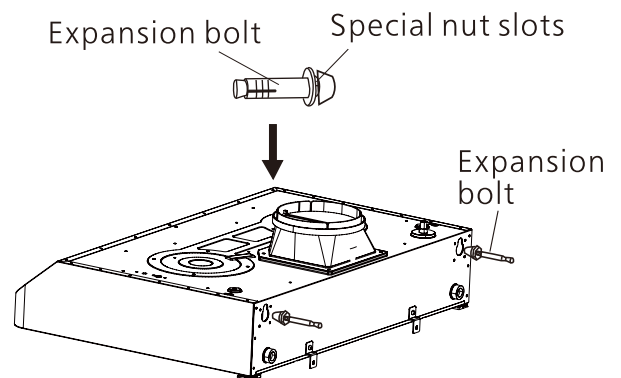
■ After installation, hold the two sides of the range hood and pull outward with force to ensure that the product is no longer being pulled. So that to verify that it is securely installed.



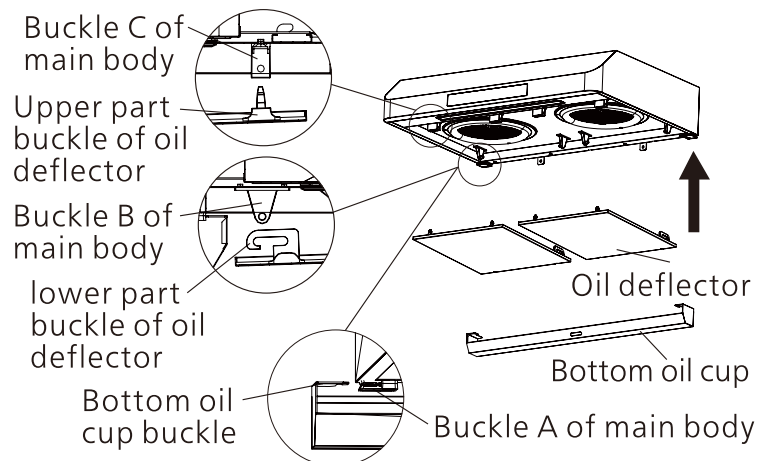
- ⑦ Align the holes on the mounting bracket of the main body with the plastic expansion plugs on the wall, then insert and tighten two M5×50 round head self-tapping screws in it.

### Notice

To prevent the main body from falling after being pushed backward, tighten the screws.



- ⑧ (1) Install the bottom oil cup: Insert the bottom oil cup buckle into the buckle A of main body.
- (2) Install the oil deflector: Insert the lower part buckle of oil deflector into the buckle B of main body. Then Insert the upper part buckle of oil deflector into the buckle C of main body.

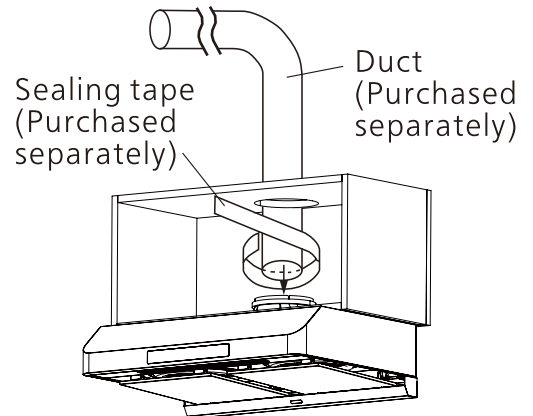


# HOW TO INSTALL

- ⑨ Install the duct (Purchased separately).  
It is suggested that the length of duct does not exceed 3 m and not more than two bends. Please ensure that the duct is securely installed to prevent it from falling off.

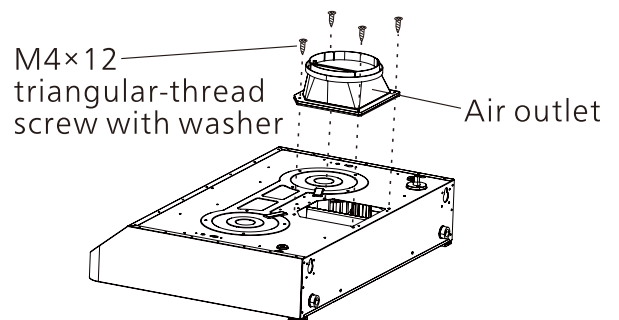
## Notice

- Please organize the power cord after installation. Prevent the cord from sagging, avoid pinching it between the main body and walls or cabinets, and keep it away from the cooking appliance.
- After installation, the product is tilted from back to front at about 2°, which is a normal phenomenon.
- After installation, please ensure that there is no interference between the duct and the damper. Otherwise, it will affect the normal opening and closing of the damper.

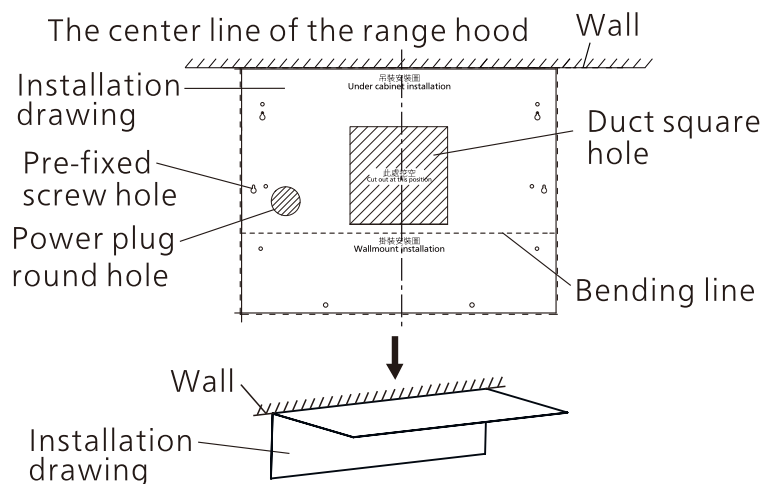


## 3. Product installation Method 2 ceiling mounting

- ① Attach the  $\varnothing 150$  air outlet to the main body using four M4×12 triangular-thread screws with washer.

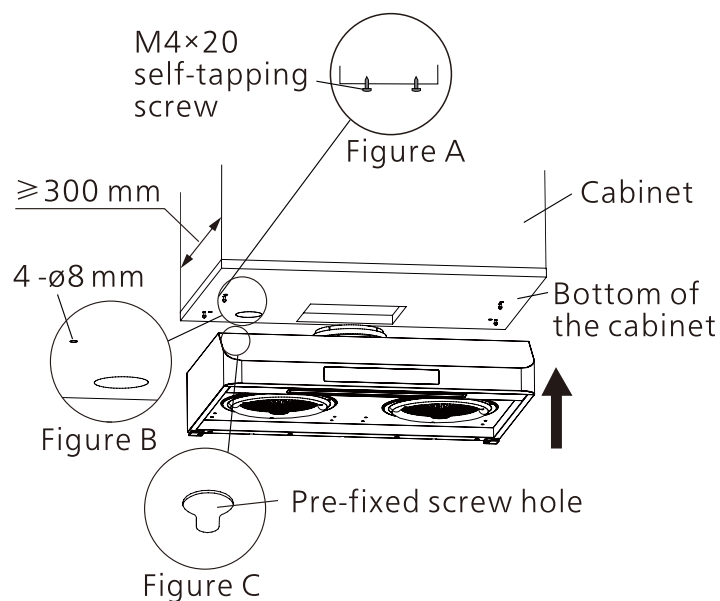


- ② Bend the installation drawing, place it on the bottom of the cabinet, with the edge flush against the wall, and secure it with adhesive tape.

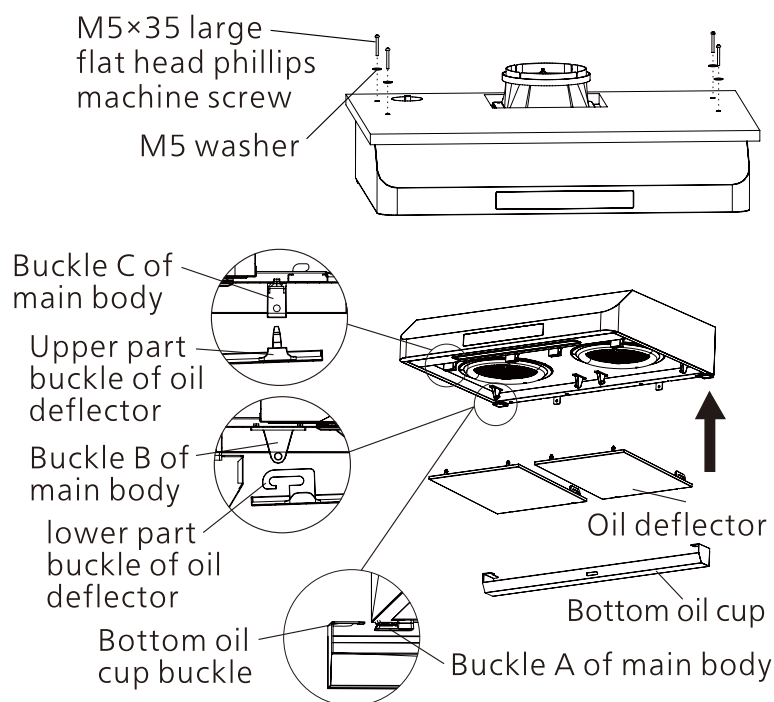


# HOW TO INSTALL

- ③ Cut holes in the cabinet as shown in the installation drawing. Drive four M4×20 self-tapping screws into the bottom of the cabinet to a depth of approximately 1/2 of the screw length. (Figure A) (Please ensure that the depth of the kitchen cabinet is  $\geq 300$  mm.)
- ④ Drill four  $\varnothing 8$  through-holes in the bottom of the cabinet, and then remove the installation drawing. (Figure B)
- ⑤ Pass the power plug of the range hood through the round hole opened in step ③.
- ⑥ Attach the pre-fixed screw holes on the main body to the four pre-installed M4×20 self-tapping screws. Then push the main body towards the wall to pre-fix it on the cabinet. (Figure C)
- ⑦ Tighten four M5×35 large flat head phillips machine screws and four M5 washers from top to bottom to secure the range hood in place.



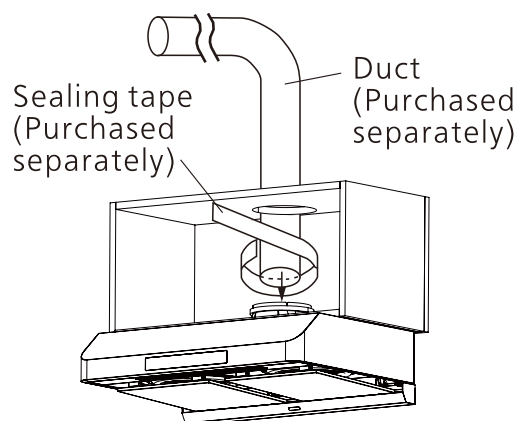
- ⑧ (1) Install the bottom oil cup: Insert the bottom oil cup buckle into the buckle A of main body.
- (2) Install the oil deflector: Insert the lower part buckle of oil deflector into the buckle B of main body. Then insert the upper part buckle of oil deflector into the buckle C of main body.



- ⑨ Install the duct (Purchased separately). It is suggested that the length of duct does not exceed 3 m and not more than two bends. Please ensure that the duct is securely installed to prevent it from falling off.

## Notice

- Please organize the power cord after installation. Prevent the cord from sagging, avoid pinching it between the main body and walls or cabinets, and keep it away from the cooking appliance.
- After installation, the product is tilted from back to front at about  $2^\circ$ , which is a normal phenomenon.
- After installation, please ensure that there is no interference between the duct and the damper. Otherwise, it will affect the normal opening and closing of the damper.



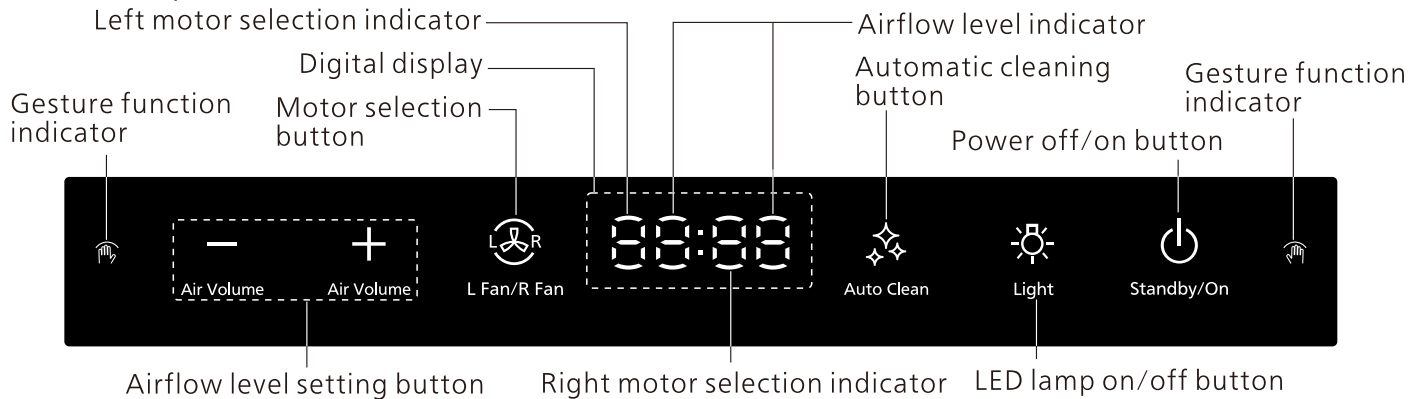
# TEST RUN

After installation, connect the power supply and check the following items using the control panel:

- Is the fan operating normally?
- Is there any abnormal vibration or noise?
- Is the damper able to open or close normally?
- Are all functions on the control panel operating properly?

## HOW TO USE

### Control panel



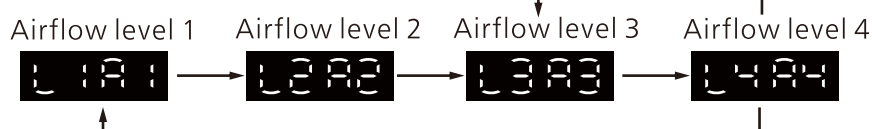
Insert the plug into the power socket. A beep will sound, and all touch buttons and indicators will light up for 2 seconds and then turn off. Then, the gesture function indicator, automatic cleaning button, LED lamp on/off button, and the power off/on button on the control panel will remain half-lit. Each time a touch button is pressed, a beep will sound.

### Gesture function

To activate the product functions, ensure that both the left and right gesture indicators should be swiped by hands. This function is enabled by default.

- While the product is in standby mode, swipe your hand from left to right across the two gesture indicators. The product will power on, and all touch buttons and indicators remain full-lit. Swiping from left to right repeatedly to cycle through the airflow levels as shown below.

(1) Dual motor      The digital display will automatically revert to the "L3R3" setting after a 5-minute countdown.



(2) Left motor      Airflow level 1      Airflow level 2      Airflow level 3



(3) Right motor      Airflow level 1      Airflow level 2      Airflow level 3





### Notice

L4 or R4 setting is not available for a single motor.

- While the product is in operation, swipe your hand once from right to left across the two sensors to turn off the LED lamp and activate the delayed standby mode; swipe twice from right to left to force the product into standby mode.
- To disable the gesture function:  
Touch and hold the button for above 6 seconds, to disable the gesture function. The digital display will show "OFF". The gesture function indicator is off. Touch and hold the button for above 6 seconds again to enable the gesture function. The digital display will show "ON". The gesture function indicator will return to a half-lit state.

# HOW TO USE

## Power off/on button

Touch the  button to start the product. Touch the  button again to activate the 3 minutes delayed standby mode.

Press ,  or  button to cancel the delayed standby countdown.

If the  button is touched again within 3 minutes will force the product into standby mode; otherwise, it will automatically enter standby after 3 minutes.






## LED lamp on/off button

The LED lamp operates independently of other settings and can be turned on when the product is operating or in standby.





Briefly touch the  button to turn on the LED lamp. Briefly touch the  button again to turn off the LED lamp.

## Automatic cleaning button

The auto clean function operates independently of other settings and can be activated when the product is operating or in standby.

- The product performs one automatic cleaning cycle for every 30 hours of operation. After 30 hours of operation, the  button will blink, touch and hold this button for above 3 seconds to start the auto-clean function, and to enter the 10-minute automatic cleaning mode, the digital display will show the cleaning countdown. After the cleaning process is completed, the  button will return to a half-lit state, and the accumulated cleaning time will be reset.
- If the product has not been operated for more than 30 hours, touch and hold  button for above 3 seconds to start the auto clean function. The automatic cleaning cycle will be reset.
- While the automatic cleaning mode is running, touch the  button to stop the automatic cleaning and enter the standby mode. Touch the  button again or swipe from left to right to resume the operation mode before the automatic cleaning.

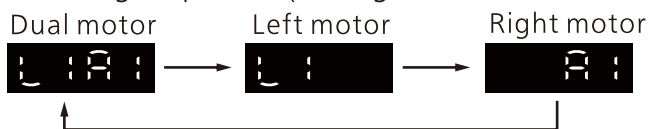
### Notice

1. Only after the product has been operated for at least 30 hours will the  button blink to remind you that an auto clean is needed.
2. While the product is in operation, touch and hold the  and  button for about 3 seconds to turn off the blinking of  button.

## Motor selection button

Factory setting: dual motor.

When the product is operating, touch the  button. The left and right motors will operate in the following sequence (taking airflow level 1 as an example).



- L4 or R4 setting is not available for a single motor.

## Airflow setting button

Factory setting: level 1.

Touch the  or  button to adjust the airflow level. The airflow levels will cycle as follows:

(1) Dual motor



# HOW TO USE

## (2) Left motor



## (3) Right motor



### Notice

When set to "L4R4" setting, you can touch the  button or wait for 5 minutes for the setting to revert to "L3R3".

L4 or R4 setting is not available for a single motor.

# USE AND MAINTENANCE INSTRUCTIONS

## WARNING

- In the event of any abnormality/fault, stop using the product and turn off the power switch or unplug the power plug.



Otherwise, fire, electric shock, or smoke may occur.

Examples of abnormality/fault:

- Abnormal noise or overheating.
- Abnormal odor/smoke.
- Combustion.

- Unplug the power plug before cleaning the product.



Otherwise, electric shock may occur.

- Product should be removed if it is no longer in use.



This product may cause injuries once it falls off.

- Do not use the product in a damp place.



Otherwise, fire or fault may occur.

- If oil catches fire during cooking, stop using the product immediately.



Otherwise, fire may occur.

- When unplugging the power plug, hold the plug itself and do not pull on the power cord.



Otherwise, the power cord may be damaged with the possibility of fire or electric shock.

- Do not insert sharp metal objects into any openings of the main body.



Otherwise, contact with internal components may occur, resulting in electric shock.

- Do not use the product when gas may be leaking from gas appliance.



Otherwise, it may cause gas explosion.

- Do not disassemble this product for repair or reconstruction.



Doing this may lead to fire and electric shock.

- Do not place any objects on the product.



Otherwise, the object could fall off, potentially causing fault or injury.

- Do not touch the power plug with wet hands.



Otherwise, electric shock may occur.

# USE AND MAINTENANCE INSTRUCTIONS

## ⚠ WARNING

- There shall be adequate ventilation of the room when the range hood is used at the same time as appliances burning gas or other fuels.

⚠ Otherwise, it may lead to poisoning.

- Regularly clean dust from the power plug.

⚠ If the power plug is dampened or covered with dust, the insulation may be compromised, which may lead to fire.

- Do not flambe under the range hood.

⊘ Otherwise, fire may occur.

- The power plug must be connected properly. Ensure that it is fully inserted and securely fitted into the socket.

⚠ If the power plug is not fully inserted into the socket, sparks may occur when power is supplied, which may result in poor contact or fire.

## ⚠ CAUTION

- Do not spray water or detergent directly onto the motor and plug.

⊘ Otherwise, electric shock may occur.

- Wear protective gloves when cleaning the product.

⚠ Otherwise, may lead to injury.

- Do not use steam cleaning agent to clean the product.

⊘ Steam may come into contact with electronic components, causing damage or short circuit.

- Accessible parts may become hot when used with cooking appliance.

⚠ Otherwise, may cause burns.

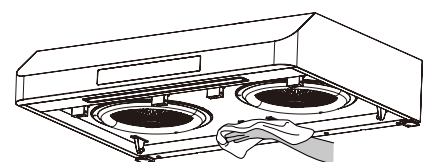
### Notice

1. Do not use gasoline, benzene, thinner, any other similar chemicals or steel ball for cleaning.
2. It is recommended to turn on the product when using gas appliance.

## HOW TO MAINTENANCE

### Notice

- Wear plastic gloves during cleaning to prevent accidents.
- Use neutral detergent only.
- There is a fire risk if cleaning is not carried out in accordance with instructions.
- When removing the fan guard to clean the fan blades, please have it serviced by professional service providers or similarly qualified personnel.
- When remove, install or clean the fan blades, please do not press the blades forcefully as it may cause them to deform.
- After cleaning, please ensure that all components are securely installed. Otherwise, it may fall and cause injury.
- **Daily Cleaning**
  - Wipe off oil droplets and grease from the surface of range hood after cooking.

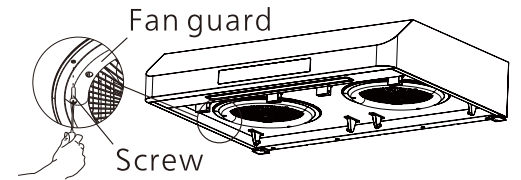
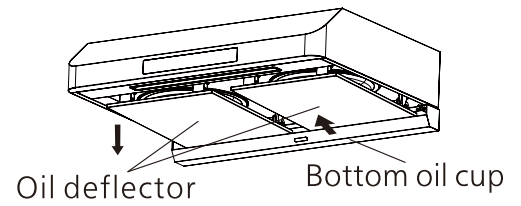


# HOW TO MAINTENANCE

## ■ Monthly Cleaning

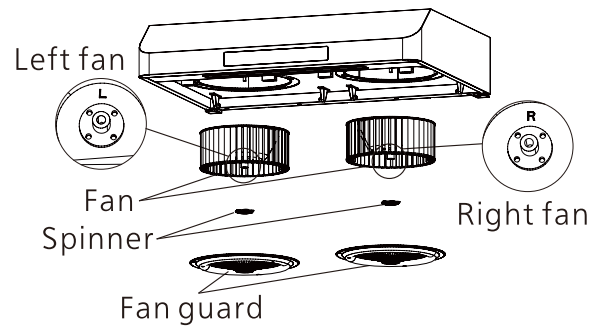
• Before removing the fan guard, disconnect the power supply of the range hood and ensure that the fan blades have completely stopped before cleaning.

1. Detach the oil deflector, then detach the bottom oil cup.
2. Loosen the three screws on the fan guard.
- When loosening the fan guard screws, hold the fan guard securely.
3. Loosen the spinner R and spinner L according to the directions indicated on them, then remove the fan blades.  
Loosening direction :  
spinner R is loosened clockwise,  
spinner L is loosened anticlockwise.



4. After cleaning, reassemble all parts in the reverse order: install the fan, spinner and fan guard, then the bottom oil cup, oil deflector.

5. The fan blades are designated for left and right.  
Install them according to the markings.
- The left and right fans must not be interchanged.



## ■ Bottom oil cup Cleaning

- When the bottom oil cup is nearly full (waste oil reaches the top of the oil level indicator window), dispose of the waste oil.
- Slippery surface of bottom oil cup requires extra care when installing or removing it to the main body.
- Oil deflector: pull downward to release the buckles, then remove it from the buckle B of main body.

## ■ Lamp replacement

Please contact customer consultation service center to replace with the LED lamp with the specified model. (For specific contact details, please refer to the warranty card.)

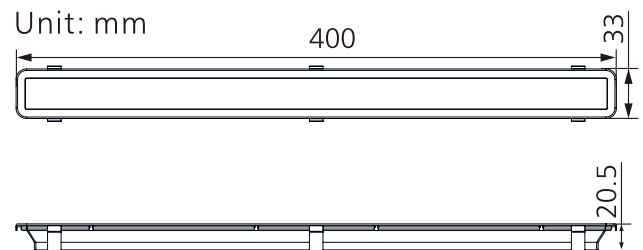
LED lamp dimension (Width×depth×height):

400 mm×20.5 mm×33 mm

LED lamp type: LED

Input: 12 V DC

- Only LED type lamp of rating as stated can be used, and the max wattage is 3 W.



# TROUBLESHOOTING

Check the product according to the table below if a fault occurs. If an error still occurs, contact customer consultation service center or your distributor.

Symptom	Cause	Troubleshooting
LED lamp not lighting and motor not running	<ol style="list-style-type: none"> <li>1. The power plug is not inserted into the power socket.</li> <li>2. There is a fault with the motor, circuit board, or power cord.</li> </ol>	<ol style="list-style-type: none"> <li>1. Insert the power plug into the power socket.</li> <li>2. Contact customer consultation service center or your distributor.</li> </ol>

# TROUBLESHOOTING

Symptom	Cause	Troubleshooting
LED lamp not lighting	<ol style="list-style-type: none"> <li>1. There is a fault with the LED lamp wiring or the connection.</li> <li>2. There is a fault with the LED lamp circuit board.</li> </ol>	Contact customer consultation service center or your distributor.
Abnormal noise	The exhaust duct is loose or excessively bent, causing poor airflow.	Reinstall the exhaust duct.
Oil leakage	<ol style="list-style-type: none"> <li>1. The installation position of the range hood is tilted, preventing oil from flowing into the bottom oil cup.</li> <li>2. The bottom oil cup assembly is full.</li> </ol>	<ol style="list-style-type: none"> <li>1. Reinstall.</li> <li>2. Pour out the oil and clean the bottom oil cup.</li> </ol>
Poor smoke extraction performance	<ol style="list-style-type: none"> <li>1. The exhaust duct is loose or excessively bent, causing poor airflow.</li> <li>2. The range hood is not set to the highest airflow level.</li> <li>3. Strong air circulation in the kitchen disperses the smoke.</li> <li>4. The distance between the cooking appliance and the range hood is too large.</li> </ol>	<ol style="list-style-type: none"> <li>1. Contact customer consultation service center or your distributor to reinstall the exhaust duct.</li> <li>2. Set to the highest airflow level.</li> <li>3. Close the window or door as needed.</li> <li>4. Reinstall the range hood to reduce the distance from the cooktop.</li> </ol>

- When the digital display on control panel shows error codes E2 to E6, please also contact customer consultation service center or your distributor

# SPECIFICATIONS

Rated voltage/frequency	220 V~ 50 Hz
Power consumption (W)	250
Maximum total lighting input power consumption (W)	4
Motor quantity	2
Net weight of product (kg)	15
Outer diameter of exhaust duct (mm)	ø150/ø120
Dimension Width×depth×height (mm)	698×520×135

- Electric specification are measured under a static pressure of 0 Pa.
- When an optional reducer is used, electrical performance parameters may vary slightly.
- Insulation class F

The above specification are subject to change without prior notice.

KDK Company, Division of PESHK  
 Head Office : 4017, Takaki-cho, Kasugai, Aichi, Japan

© KDK Company, Division of PESHK 2026

Issue date: 06/2026

P0626-0 7HQSA4202